

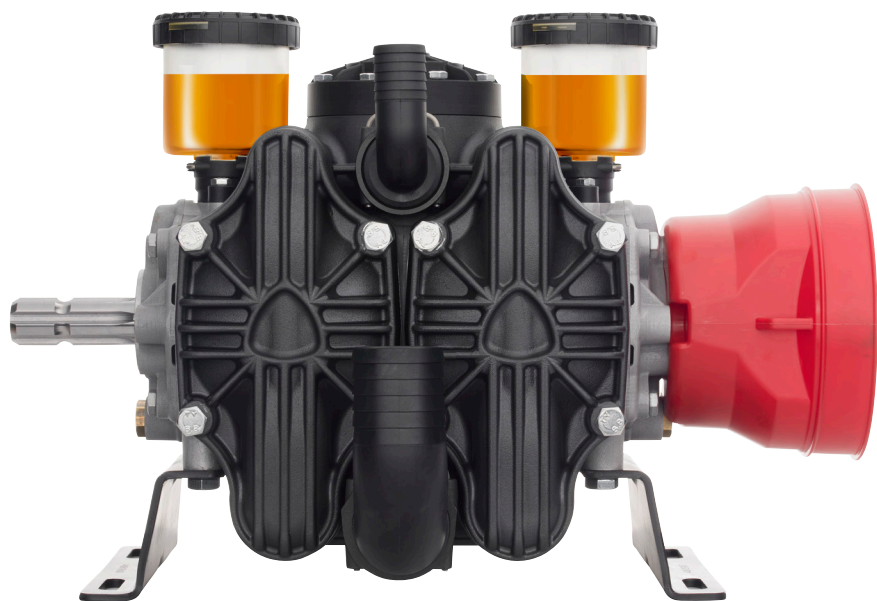


**ANNOVI
REVERBERI**®
The Power of Experience

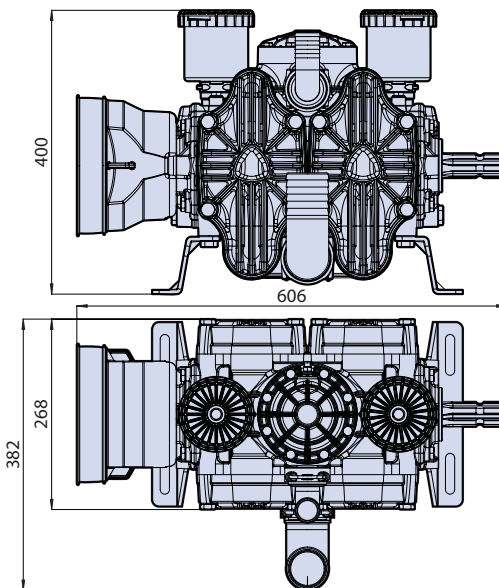


AR300MLC

**POMPA A MEMBRANA MODULARE
MODULAR DIAPHRAGM PUMP**



AR 300 MLC model
Dimensioni d'ingombro - Overall dimensions



Modello Model	L/h		MAX		MIN	MAX		Moduli Modules N°
	L/1'	gpm	bar	psi		°C	°F	
AR 300 MLC	300	79	15	218	550	60	140	2
AR 450 MLC	450	119	15	218	550	60	140	3
AR 600 MLC	600	159	15	218	550	60	140	4
AR 750 MLC	750	198	15	218	550	60	140	5



AR 300 MLC

N° moduli: 2

N° membrane: 4 (2 x modulo).

Pompa modulare a membrana per diserbo a bassa pressione. Circuiti in alluminio anodizzato, membrane pistone e camera aria Blueflex™, valvole in plastica, particolari in acciaio a contatto con il liquido pompato in AISI 316. Meccanica interna a bagno d'olio. Membrane semi-idrauliche.

Opzioni : serbatoio a distanza. Albero speciale e coperchio per sensore R.P.M.

Versioni : C/C e C/F Ø 32 per IDM

AR 300 MLC

Number of modules: 2

Number of diaphragms : 4 (2 diaphragms per module).

Modular pump for weedkilling and liquid fertiliser application. Pump heads and manifolds made of anodized aluminium, diaphragms and air chamber diaphragm in Blueflex™ material, valves with polymer cages, and wetted parts in contact with spray solution made in AISI 316 steel. Internal mechanical components immersed in oil bath. Semi hydraulic diaphragm design.

Options: remote mounted oil reservoir. Special shaft and cover designed for R.P.M sensor.

Shaft versions: C/C through shaft 1 3/8" six spline and C/F cardan female for hydraulic motor 32 mm male cylindrical shaft.

Characteristics and descriptions are not binding.
Dati, descrizioni ed illustrazioni sono forniti a titolo indicativo e non impegnativo.



ANNOVI REVERBERI®
The Power of Experience

Annovi Reverberi spa

Via Martin Luther King 3
41122 Modena (Italy)
Tel +39 059 414 411
Fax +39 059 253 505

infoar@annovireverberi.it
www.annovireverberi.it